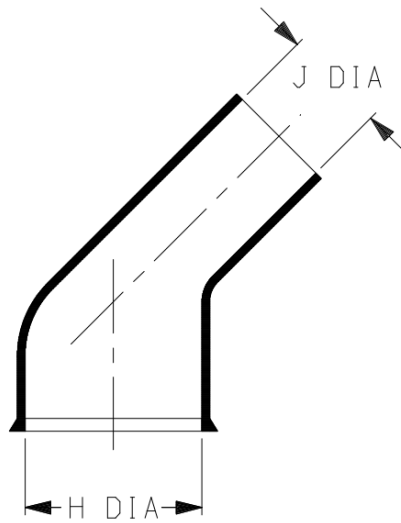
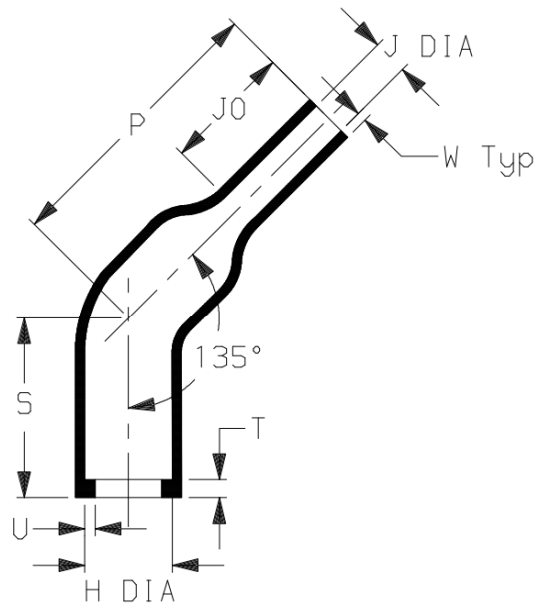


a) Part as supplied

242W0**-*



b) Part after unrestricted recovery.



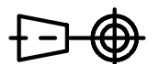
DIMENSIONS in millimetres
(in inches, for reference)

Part Number	H		J		P	S	T	U	J0	W
	Min a	Max b	Min a	Max b	±10% b	±10% b	±10% b	±10% b	±10% b	±20% b
242W042	31 (1.22)	17.9 (0.70)	18 (0.71)	7.0 (0.28)	55 (2.17)	35 (1.38)	3.5 (0.14)	2.0 (0.08)	25 (0.98)	1.8 (0.07)
242W053	36 (1.42)	22.1 (0.87)	21 (0.83)	8.4 (0.33)	60 (2.36)	40 (1.57)	3.5 (0.14)	2.0 (0.08)	30 (1.18)	2.0 (0.08)
242W063	43 (1.69)	27.9 (1.10)	25 (0.98)	9.9 (0.39)	65 (2.56)	45 (1.77)	3.5 (0.14)	2.0 (0.08)	35 (1.38)	2.2 (0.09)

Copyright (!)

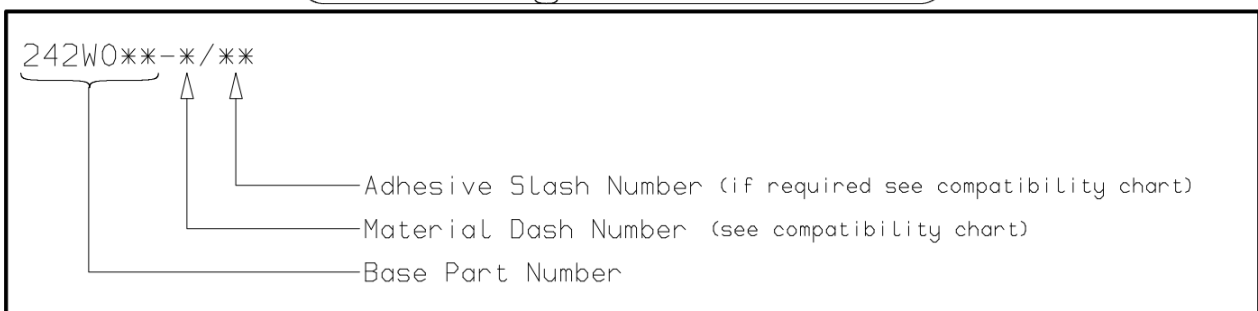
The copyright in this drawing is the property of Tyco Electronics UK Ltd. The drawing is issued on the condition that it is not copied, reproduced or disclosed to a third party, either in whole or in part without the prior written consent of Tyco Electronics UK Ltd.

Drawn D LADD Checked Issue 5 Date October 2011 Conforms to ISO Recommendations
Approval Design MKTG. Tech. 3rd Angle Projection
Not to Scale



Raychem		Specification Control Drawing	Part Number 242W0**-* Issue 5
Iss.	Date	E.C.R. No.	Details of Change
2	November 2000	CR00-HM-0016	W was 2.0
3	January 2007	CR06-DM-104	-12 Material description name changed
3	January 2007	CR06-HM-012	Imperial dimensions added
4	November 2007	CR07-HM-020	S1030 note added
5	October 2011	RTS 556804	/180 ADHESIVE ADDED

(Ordering Information)



(COMPATIBILITY CHART)

Material Dash Number	Material Description	SPEC Number	Coating Slash Number
-12	FLUOROELASTOMER, FLEXIBLE	RT-1312	/225
-100	ZEROHAL	RW-2058	/86, /180 (see note 2)

NOTES

- ① As supplied dimensions are for uncoated parts, when coating is added entry diameters will reduce by 1.5mm Max.
- ② S1030 (/180 equivalent) will be supplied as CS-1972 (S1030 tape loose in the bag) (i.e. 242W042-100-CS-1972-0) OR AS /180 if required
- ③ ZEROHAL is a trademark of Tyco Electronics

Tyco Electronics UK Ltd. Faraday Road, Swindon, Wiltshire, SN3 5HH England Telephone: (01793) 528171 Fax: 572516	Tyco Electronics Corporation 300, Constitution Drive, Menlo Park, CA 94025 USA Telephone (650) 361-3860 Fax: (650) 361-5579
Cage Code K1010	Cage Code 06090